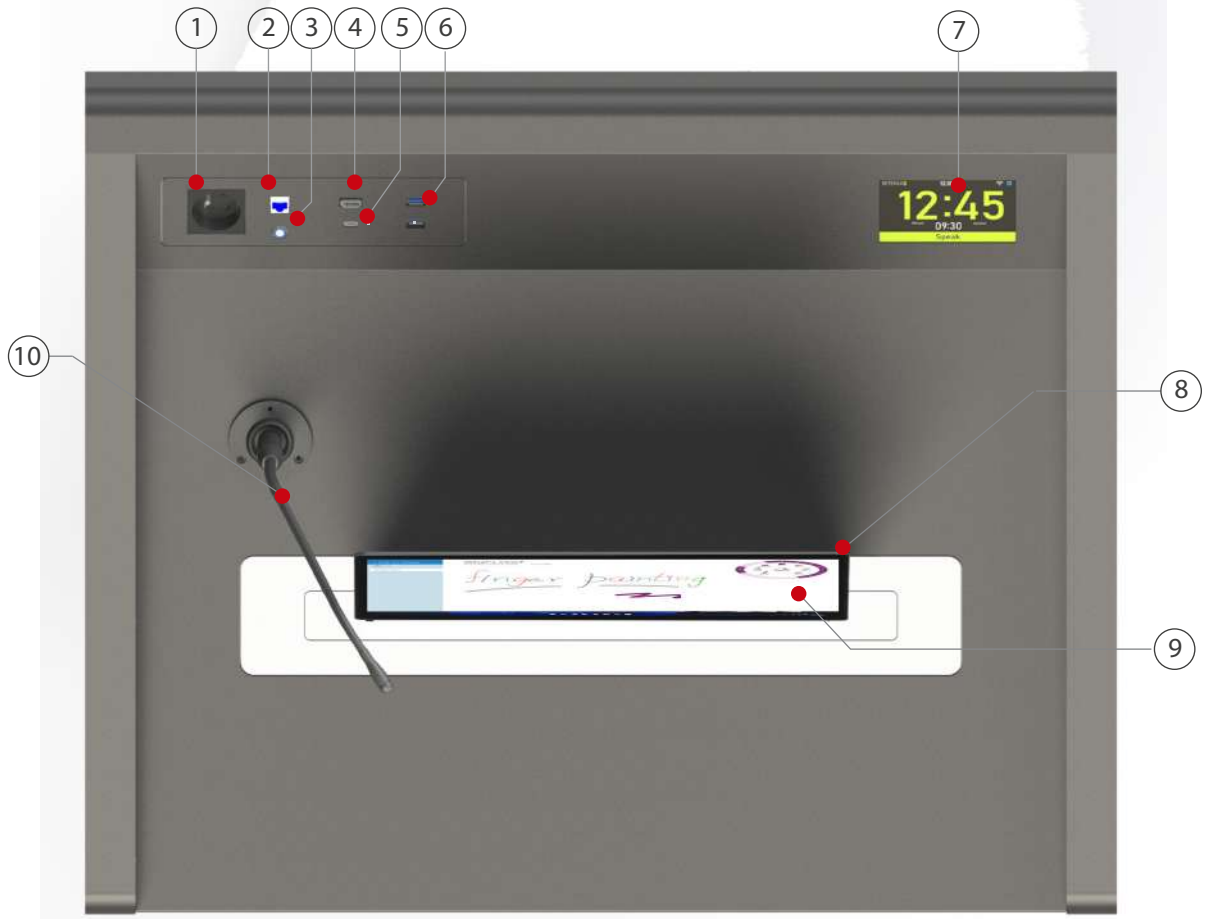


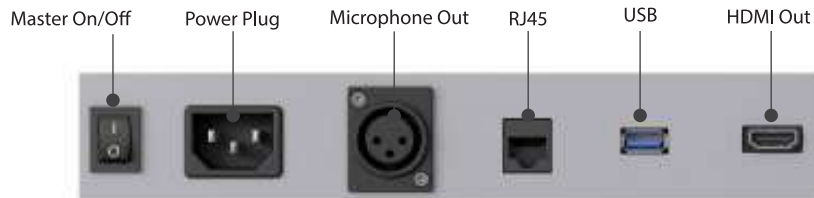
TM23S

DIGITAL PODIUM





- 1 - Power 110-220V AC
- 2 - RJ45
- 3 - PC On/Off
- 4 - HDMI input
- 5 - USB Type-C
- 6 - USB
- 7 - Clock & Timer
- 8 - 15" Motorized Retractable Multi Touch Screen
- 9 - Creapen Annotation Software
- 10 - 18" Microphones



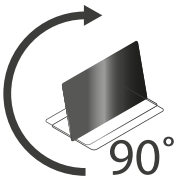
TM23S is designed to meet the basic needs in a conference room. Connecting the existing protector and sound system to TM23S is easy. In case there is not any protector, sound system or network connection. TM23S can satisfy your need as a stand alone product.

TM23S

	TM23S	TM23S-B
Multi touch speaker screen	15"	-
Front screen - with Embedded Signage Media Player	43"	43"
Player PC : Intel i3, 8 GB Ram, 128 GB SSD, Windows 11 Pro	✓	-
Microphone	✓	✓
5" Digital Touch Timer	✓	✓
Creapen Annotation Software	✓	-

Speaker Screen

■ 15" Motorized Retractable Multi Touch Screen



■ Adjustable Tilt Monitor

Lift design as a advance hidden monitor suitable for audio video systems. Motorized controlling can be executed by press buttons, remote control or RS485 central control. The screen could be rising up from the conference tables automatically to present the workable screen by the lift driving with a best view of 90 degree adjustable angle.

TECHNICAL SPECIFICATION

• Dimension

Screen Size	15.6"
Screen Thickness	8mm
Panel Size	435*75*3mm
Screen Titling or Rotation Angle	Adjustable Tilt
Touch	PCAP Multi Touch
One-way Running Time	18ms

Front Screen

43" Front Digital Signage Display



43" 4K UHD Professional Digital Signage Display

The integrated 43" front display transforms the digital podium into a powerful communication tool. With stunning 4K resolution, it delivers sharp, vibrant visuals for agendas, branding, and program content. Powered by iiyama iiSignage2 content management software, content can be easily scheduled, updated, and managed to enhance audience engagement throughout any event.



Android OS

Thanks to Android OS, you can easily customize the display to your needs by installing applications directly to it.



iiSignage2

iiSignage2 is our digital signage content management platform to easily show and control your content and to manage your displays in a secure way.

SCHEDULE

Effortless Scheduling at your Fingertips



Built-in Wifi



7/24



iiSignage2



Android OS



4K

Specification	
Diagonal	42.5", 108cm
Panel	IPS, AG coated glass, matte finish, haze 25%
Native resolution	3840 x 2160 @60Hz 4K UH)
Aspect ratio	16:9
Panel brightness	500 cd/m ²
Static contrast	1200:1
Response time	8ms
Viewing zone	178°/178°, right/left: 89°/89°, up/down: 89°/89°
Colour support	1.07B 8bit+FRC (NTSC 72%)
Horizontal Sync	28 - 160kHz
Viewable	W x H 941 x 529mm, 37 x 20.8"
Pixel pitch	0.245mm
Integrated software	Android 11 OS, Signage, FailOver, EShare
WiFi	Built-in, 802.11ac
Hardware	CPU A73*4+A53*4, GPU: G52 MP8, RAM: 4GB,
Max non-stop operating time	24/7
Anti image retention	Yes
Video wall / daisy chain	Yes, (MST-output)
Media playback	Yes



FRONT



BACK



Specifications	
Operating System	Windows 11 Pro
CPU	Intel i3
Chipset	Intel B560
Graphics	Integrated - Intel HD Graphics
Memory	8 GB
Storage	128 GB SSD
Wireless Data Network	Wi-Fi 6, Bluetooth 5.0, 2*2
LAN	10/100/1000 Mbps, Intel LAN
Side(Front) I/O Ports	4 x USB 3.2 Gen2 Type-A (1 w/QC), 1 x USB 3.2 Gen1 Type-C, 2 x Audio Jacks(optional)
Back I/O Ports	1x USB3.2 Gen1 Type-A, 2x USB2.0, 1x RJ45 LAN, 2x Display Port 1.2, 1x configurable ports (HDMI 2.0/VGA/COM/DP/LAN), 1x Kensington lock, 1x DC-in
Power Supply	150W - 19Vdc, 4.74A, 90W Power Adapter
Dimensions (W x D x H)	175 x 175 x 44.2 mm
Weight	1.3KG (HDD included)
Color	Black
Accessories	USB Keyboard & Mouse
Certificates	BSMI/CB/CE/FCC/UL/CCC/Energy Star/C-Tick/WiFi/RF/VCCI

Microphone

■ Shure 18 CVG18S-B Microphone



Designed with dual gooseneck sections for full articulation, the CVG18 provide scalable, best-in-class performance in a wide variety of locations.

Features

- Cardioid polar pattern with tailored response for speech
- Dual-section gooseneck enables ease of positioning and placement options
- Included Flange Mount and available snap-fit windscreens (ACVG4WS-B – 4 pack)
- With Mute switch/LED,
- Guards against unwanted RF Interference from portable wireless devices gh resistance to intense nearby radio signals
- Superior Shure design and rugged, dependable construction
- Noise by up to 20 dB.



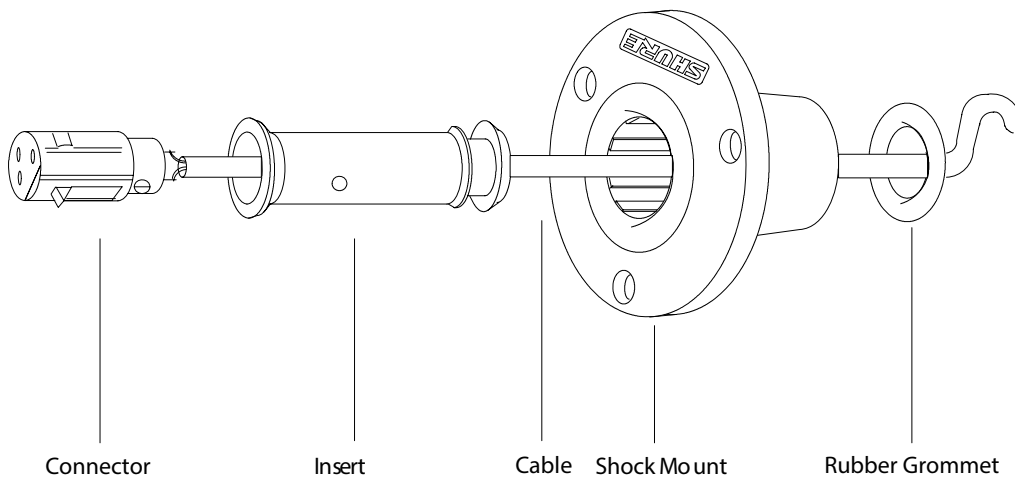
Specifications

Cartridge Type Electret Condenser	Electret Condenser
Frequency Response	70–16000 Hz
Polar Pattern	Cardioid
Output Impedance	180 Ω
Sensitivity (at 1 kHz , open circuit voltage)	–33 dBV/Pa[1] (22 mV)
Maximum SPL (1 kHz at 1% THD)	120 dB SPL
Signal to Noise Ratio (referenced at 94 dB SPL)	67 dB
Dynamic Range	93 dB
Self Noise (equivalent SPL, A-weighted, typical)	27 dB SPL
Common Mode Rejection (10 Hz to 100 kHz)	45 dB
Preamplifier Output Clipping Level (1% THD)	–7 dBV
Polarity	3
Power Requirements	11–52 V DC[4], 2.0 mA

■ Shure A400SMXLR Shock Mount

Shure A400SMXLR Shock Mount Socket

A400SMXLR Shock Mount decouples a microphone from the mounting surface and reduces transmission of impact or surface

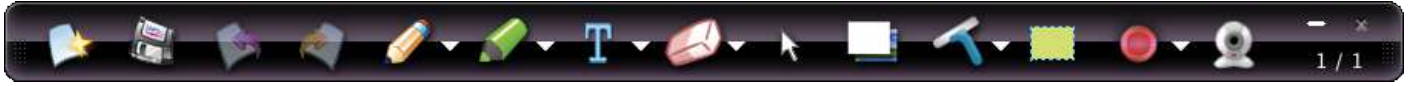


Application

■ Creapen Software

Screen Annotation & Screen Recording Solution for Presentations

CreaPen is an extremely simple yet powerful screen annotation and recording software. You can easily write on top of any other application that is currently active on the desktop, even on a running video. You can then save your annotations as an image file or even record the whole session as a video for sharing. It is a useful tool for presenters to communicate and share ideas during a live session, for educators to create effective video tutorials and for salespeople to create impressive video presentations.



Text Input



Whiteboard



Multiple Pages



Screen Recording



Screen Annotation

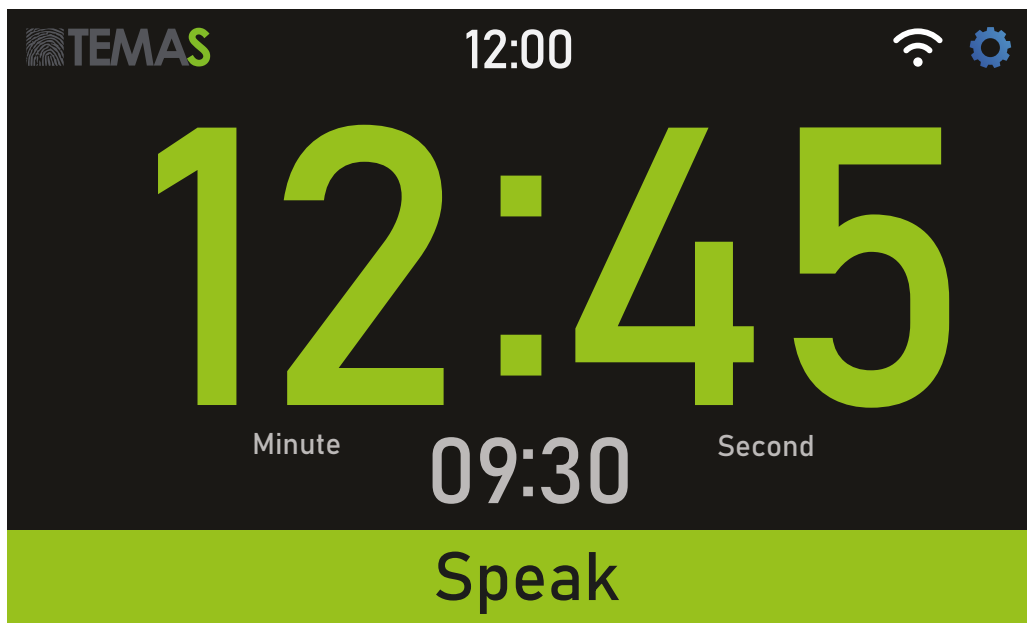


Web Camera



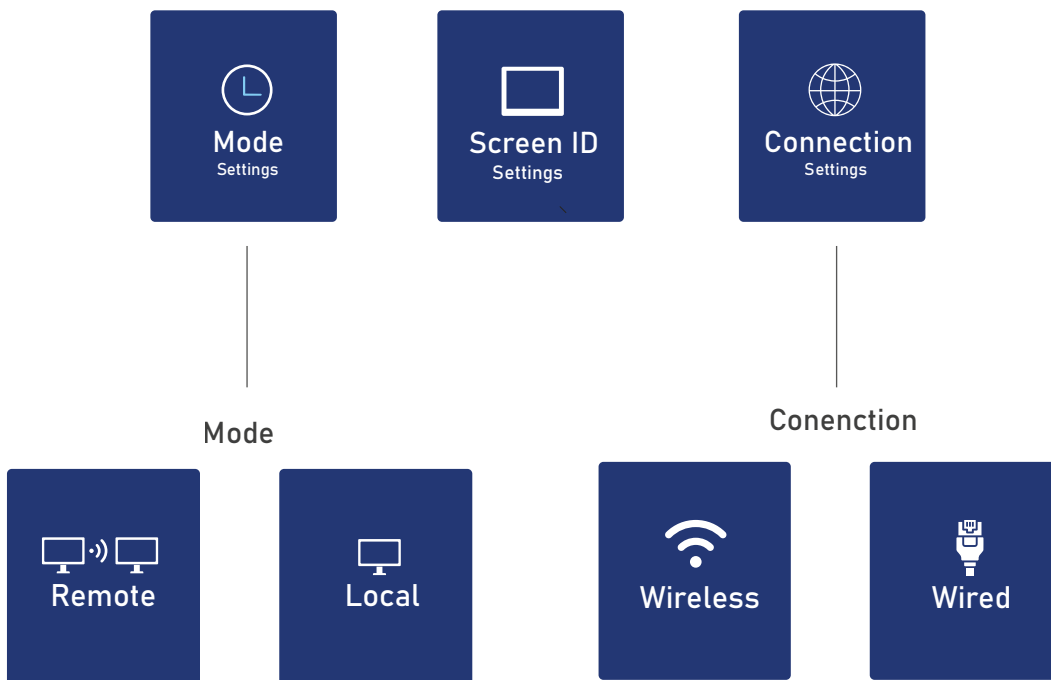
Application

■ 5" Touch screen Timer & Clock

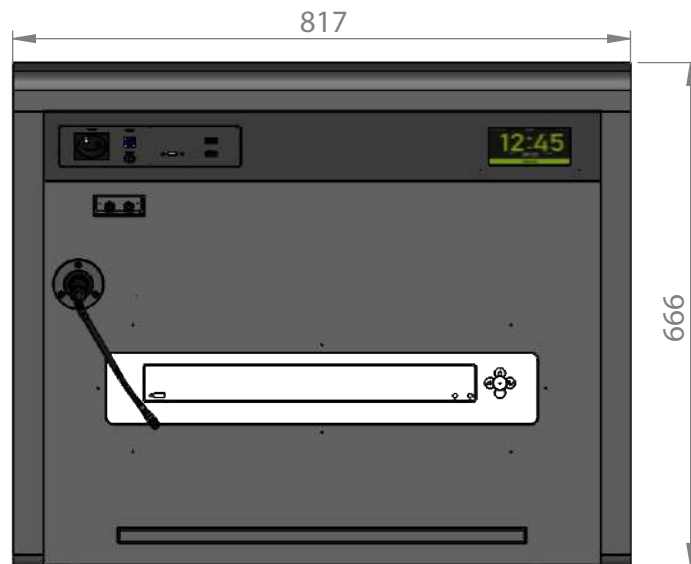
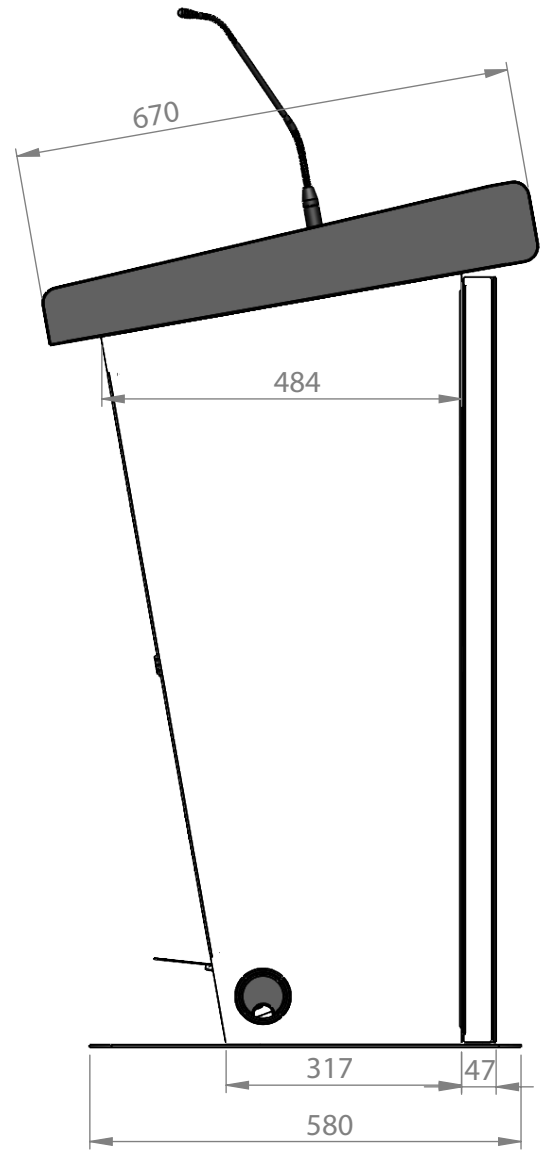
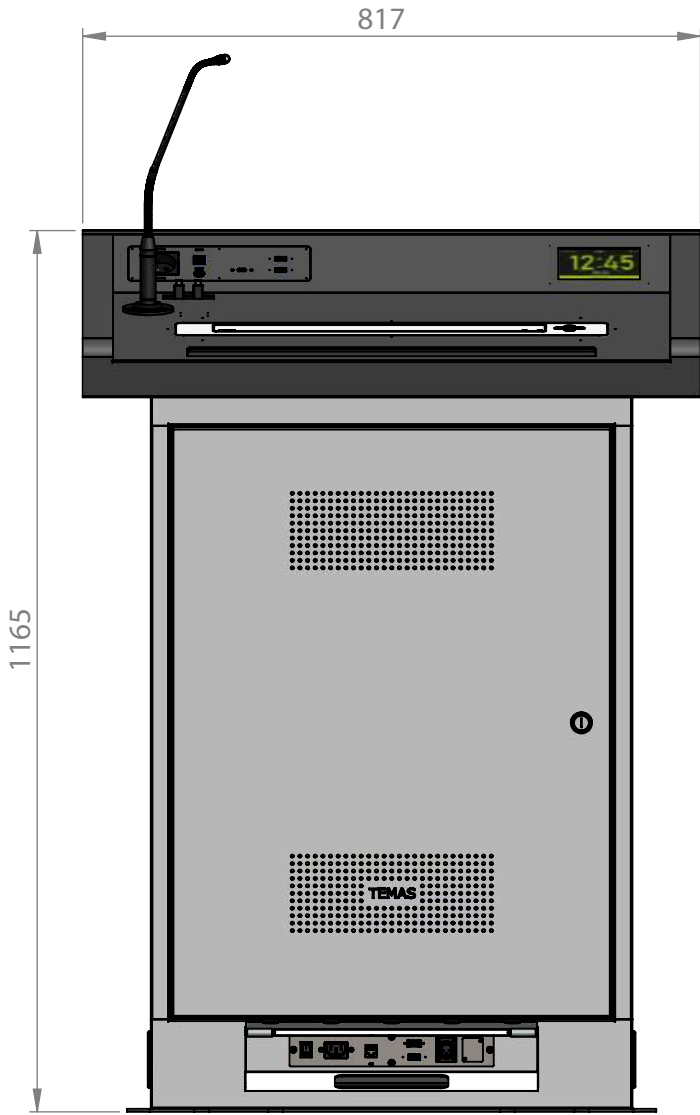


- Speak - Green: 80% of the entire speech
- Sum-up - Orange: The speaker is reminded to end
- End - Red: To remind the speaker to stop talking

Settings



■ Mechanical Specifications



■ Technical specifications

TM23S

■ Front Panel

Resolution	1920x1080 FHD
Brightness	250 cd/m2
Aspect ratio	16:9
Panel Type	ADS
Built-in Player	Available

■ Lecturer Panel

Screen Specifications	15"
Resolution	1920x1080
Brightness	250 cd/m2
Aspect Ratio	16:9
Touch	PCAP Multi Touch

Lecturer Panel PC

CPU	Intel i3
RAM	8 GB
HDD	128 GB SSD
Operating System	Windows 11 Pro

■ Microphone

Lenght	18"
No of microphone	1 pcs
Output Connector	3-way XLR(Male)
Microphone Type	Cardioid
Frequency Response	50-18 kHz
Power ON Indicator	LED
Power Requirement	Phantom Power (48V)

■ Outpots (Bottom of Podium)

HDMI	Available
Ethernet	RJ45
XLR for microphone	3-way XLR(Male)
USB	USB 2.0

■ Timer

Screen size	5"
Clock	Available
Timer	Avaiable
Stopwatch	Available
Touch	PCAP touch

■ Mechanical Specs

Product dimensions W x D x H	580 x 817 x 1165 mm
Packing dimensions W x D x H	850 x 900 x 1350 mm
Weight(kg)	Set: 68 kg Package: 170 kg



Europe

Temas Technology Co.Ltd.

Serifali Mh, Bayraktar Bulvari, Kible Sk,
No: 29 - 34775 Umraniye
Istanbul - TURKIYE

Tel: +90 216 314 54 54
info@temastechnology.com

USA

Temas Technology LLC

11417 Irving Park Rd, Suite No. B-9-4
Franklin Park, 60131-3882,
Illinois - USA

Tel: +1 630 489 6994
sales@temastechnology.com

www.temastechnology.com