

DL27M-F

DIGITAL PODIUM





- 1 - 27" Multi Touch Screen
- 2 - 18" Microphones
- 3 - Shock Mount
- 4 - PC Power On/Off
- 5 - USB 2.0
- 6 - USB 3.0
- 7 - Clock & Timer
- 8 - Height Adjustment
- 9 - Creapen Annotation Software



The DL27M is specially designed podium, adjustable to various heights according to the needs the speaker. The 27" high precision touch screen allow the speaker to take notes and interact with the presentation more conveniently. Connecting your protector and sound system to the DL27M is as easy as connecting the cables.

DL27M-F

	DL27M	DL27M-F
Multi touch speaker screen	27"	27"
Front screen - with Embedded Signage Media Player	X	22"
Player PC : Intel i3, 8 GB Ram, 128 GB SSD, Windows 11 Pro	✓	✓
Remotely Controlled Electrical Lifting Column for Height Adjustment	✓	✓
Microphone	✓	✓
5" Digital Touch Timer	✓	✓
Creapen Annotation Software	✓	✓

■ Speaker Screen



27" 10 point touch monitor with edge-to-edge glass and AMVA panel

With its Full HD (1920x1080) resolution and accurate Projective Capacitive 10 point touch technology, the ProLite delivers seamless and accurate touch response.

The AMVA panel technology guarantees high performance with excellent colour reproduction and high contrast, making it an excellent choice for a vast array of demanding interactive applications.

Touch Technology



This technology uses a sensor-grid of micro-fine wires integrated into the glass that covers the screen. Touch is detected because electrical characteristics of the sensor grid change when human finger is placed on the glass. Thanks to the glass overlay this technology is highly durable, and the touch function remains unaffected even if the glass is scratched.

It offers perfect picture performance and will work with human finger (also latex gloved) and stylus-pen.

Specifications	
Diagonal	27"
Aspect Ratio	16 : 9
Panel Amva	LED
Native Resolution	Full HD 1080p, 1920 x 1080 (2.1 megapixel)
Brightness	300 cd/m ² typical
Brightness	255 cd/m ² with touch panel
Advanced Contrast	12 000 000 : 1 ACR
Static Contrast	3 000 : 1 with touch panel
Response Time	8 ms
Viewing Zone	horizontal/vertical: 178° / 178°; right/left: 89° / 89°; up/down: 89° / 89°
Display Colour	16.7 million
Blue Light Reducer	yes
Touch Technology	projective capacitive
Touch Points	10
Glass Hardness	7H minimum
Light Transmittance	85%
Display Area	597.6 x 336.15mm, 23.5 x 13.2"
Pixel Pitch	0.311mm
Horizontal Sync	30 - 80 KHz
Vertical Sync	56 - 75 Hz
Synchronization	Separate Sync
INTERFACES / CONNECTORS / CONTROLLERS	
Analog Input Connector	VGA
Digital Input Connector	HDMI , Display Port
USB HUB	UP 1 x USB 3.0 / DOWN 4 x USB 3.0
Controls	USB (touch), USB 3.0

Front Panel



Rear Panel



Specifications	
Operating System	Windows 11 Pro
Processor	Intel i3
Chipset	Intel H310 Express chipset
Ram	8 GB
Video	HDMI x1 + DisplayPort x1 Supported double screens , 4K Play
Storage	128 GB SSD
Audio	2 Channels
Network	2 x 10/100/1000 Gigabit LAN (Intel Chipset), WIFI (Optional)
Ports	4 x USB3.0 - 2 x USB2.0 - 1 x HDMI - 1 x Display Port - 1 x eSATA+USB2.0 COM port 2 x RJ45
Case	Ultra Mini ITX
Power	90W 19V Adapter



Microphone

■ Shure I8 CVGI8S-B Microphone



Designed with dual gooseneck sections for full articulation, the CVGI8 provide scalable, best-in-class performance in a wide variety of locations.

Features

- Cardioid polar pattern with tailored response for speech
- Dual-section gooseneck enables ease of positioning and placement options
- Included Flange Mount and available snap-fit windscreens (ACVG4WS-B – 4 pack)
- With Mute switch/LED,
- Guards against unwanted RF Interference from portable wireless devices gh resistance to intense nearby radio signals
- Superior Shure design and rugged, dependable construction
- Noise by up to 20 dB.

Specifications

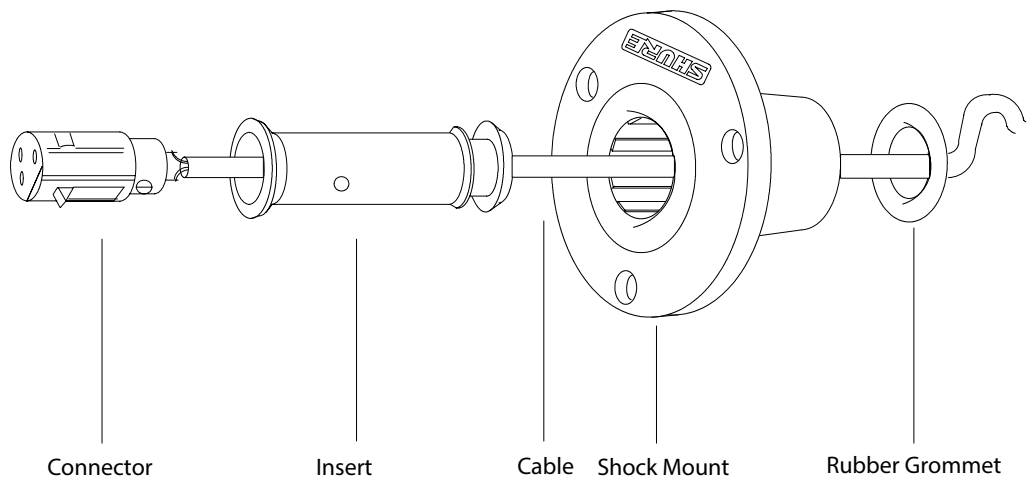
Cartridge Type	Electret Condenser	Electret Condenser
Frequency Response		70–16000 Hz
Polar Pattern		Cardioid
Output Impedance		180 Ω
Sensitivity (at 1 kHz , open circuit voltage)		–33 dBV/Pa[1] (22 mV)
Maximum SPL (1 kHz at 1% THD)		120 dB SPL
Signal to Noise Ratio (referenced at 94 dB SPL)		67 dB
Dynamic Range		93 dB
Self Noise (equivalent SPL, A-weighted, typical)		27 dB SPL
Common Mode Rejection (10 Hz to 100 kHz)		45 dB
Preamplifier Output Clipping Level (1% THD)		–7 dBV
Polarity		3
Power Requirements		11–52 V DC[4], 2.0 mA



■ Shure A400SMXLR Shock Mount

Shure A400SMXLR Shock Mount Socket

A400SMXLR Shock Mount decouples a microphone from the mounting surface and reduces transmission of impact or surface



Application

■ Creapen Software

Screen Annotation & Screen Recording Solution for Presentations

CreaPen is an extremely simple yet powerful screen annotation and recording software. You can easily write on top of any other application that is currently active on the desktop, even on a running video. You can then save your annotations as an image file or even record the whole session as a video for sharing. It is a useful tool for presenters to communicate and share ideas during a live session, for educators to create effective video tutorials and for salespeople to create impressive video presentations.



Text Input



Whiteboard



Multiple Pages



Screen Recording



Screen Annotation

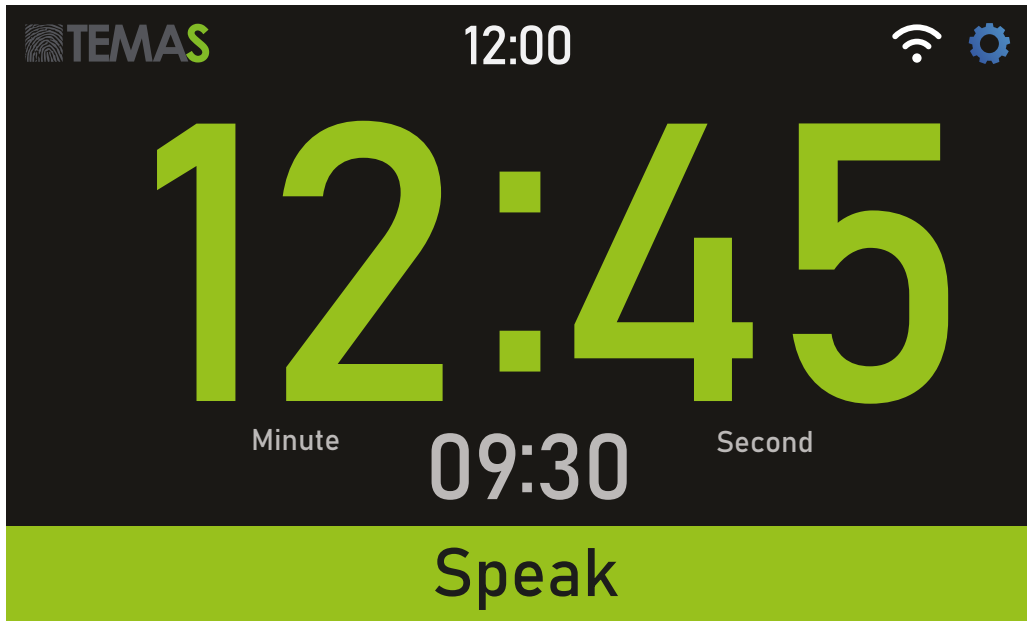


Web Camera



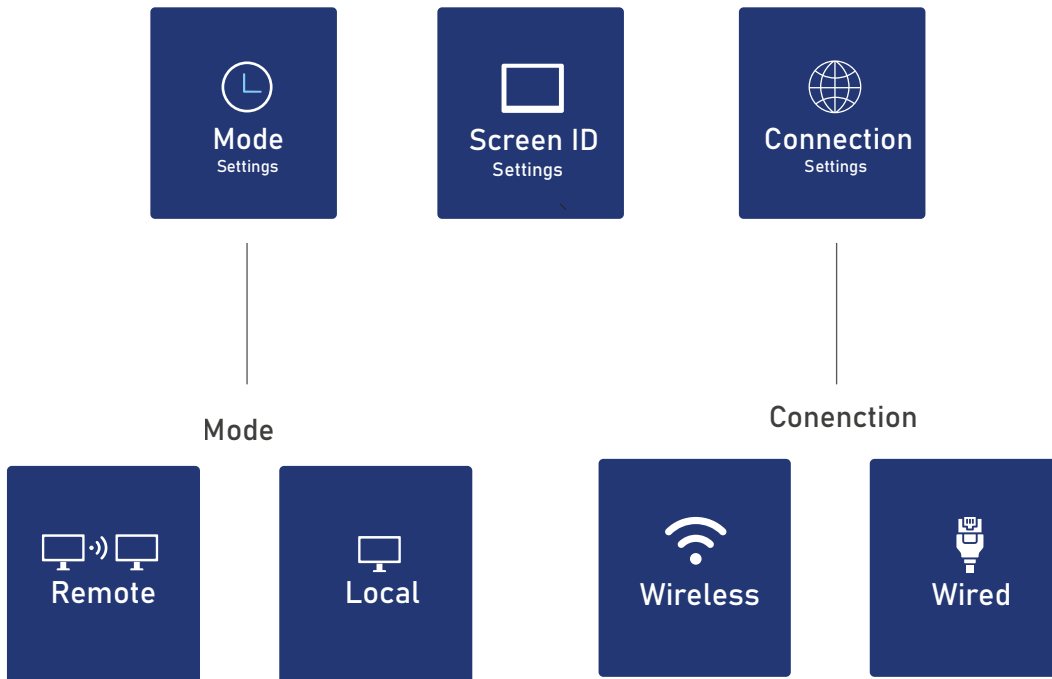
Application

■ 5" Touch screen Timer & Clock

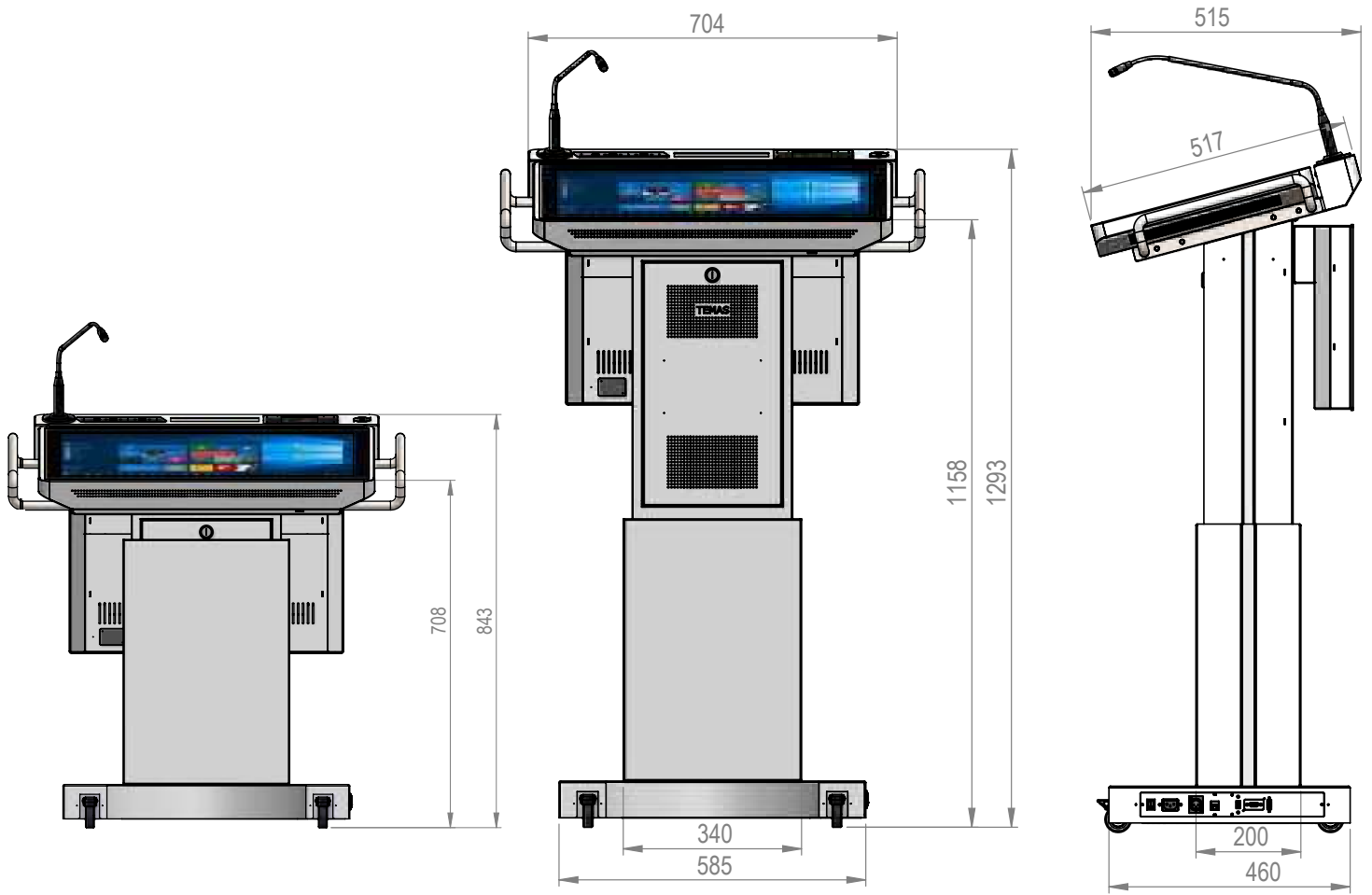


- Speak - Green: 80% of the entire speech
- Sum-up - Orange: The speaker is reminded to end
- End - Red: To remind the speaker to stop talking

Settings



MECHANICAL SPECIFICATIONS



■ Technical specifications

	DL27M-F	DL27M
■ Front Panel	22"	-
Resolution	1920x1080 FHD	-
Brightness	350 cd/m2	-
Aspect Ratio	16:9	-
Panel Type	IPS	-
Front Panel Player	Digital Signage Media Player	-
■ Lecturer Panel	27"	27"
Screen		
Resolution	1920x1080	1920x1080
Brightness	250 cd/m2	250 cd/m2
Aspect Ratio	16:9	16:9
Number of Touch Point	10 Points Capacitive	10 Points Capacitive
Lecturer Panel PC		
CPU	Intel i3	Intel i3
RAM	8 GB	8 GB
HDD	128 GB SSD	128 GB SSD
Operation System	Windows 11 Pro	Windows 11 Pro
■ Microphone		
Lenght	18"	18"
No of Microphone	1 pcs	1 pcs
Output Connector	3-way XLR(Male)	3-way XLR(Male)
Microphone Type	Cardioid	Cardioid
Frequency Response	50 - 18 kHz	50 - 18 kHz
Power ON Indicator	LED	LED
Power Requirement	Phantom Power (48V)	Phantom Power (48V)
■ Outputs (Bottom of Podium)		
HDMI	Available (Projector Out)	Available (Projector Out)
Ethernet	Network Connection	Network Connection
XLR for Microphone	3-way XLR(Male)	3-way XLR(Male)
USB	USB 2.0 (for internal PC)	USB 2.0 (for internal PC)
■ Electrical Lifting Column for Height Adjustment		
Movement	Vertical (Up/Down)	
Control	By Buttons (Up/Down) and Remote Control	
Speed	Max speed: 38 mm/s	
Lifting Strength	700N	
Locking System	Automatic Locking when engine not working	
Engine Type	Electrical	
■ Mechanical Specs		
Outline Dimesion(mm)Set	550 x 800 x 1091	550 x 800 x 1091
Outlibe Dimension(mm)Package	670 x 920 x 1300	670 x 920 x 1300
Weight(kg)	Set: 68 kg Package: 112 kg	Set: 63 kg Package: 108 kg



Europe

Temas Technology Co.Ltd.

Serifali Mh, Bayraktar Bulvari, Kible Sk,
No: 29 - 34775 Umraniye
Istanbul - TURKIYE

Tel: +90 216 314 54 54
info@temastechnology.com

USA

Temas Technology LLC

11417 Irving Park Rd, Suite No. B-9-4
Franklin Park, 60131-3882,
Illinois - USA

Tel: +1 630 489 6994
sales@temastechnology.com

www.temastechnology.com