

DL22A-M

DIGITAL PODIUM

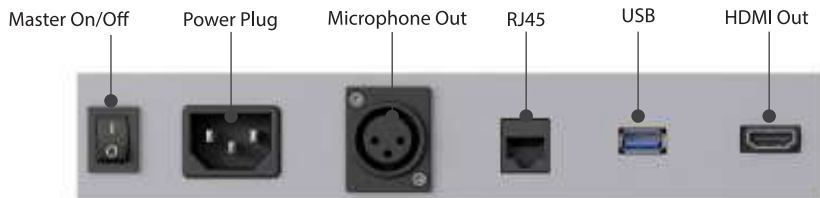


Connectivity

CONNECTIVITY IN



- 1 - 18" Microphones
- 2 - Shock Mount
- 3 - Power 220V AC
- 4 - USB
- 5 - PC On/Off
- 6 - Clock & Timer
- 7 - Height Adjustment
- 8 - 22" Multi Touch Screen
- 9 - Creapen Annotation Software
- 10 - Mouse Drawer



The DL22A is contrived to be a cost-effective solution convenient for short speeches such as pressor hotel conference, rooms. Along with an ergonomic functional design, the DL22A features a 22" Multi touch capacitive touch screen designed with IPS technology. The 22" front screen is equipped with a signage media player and content management software.

The DL22A provides ease and simplicity when connecting to any projector or audio system

DL22A

	DL22A	DL22A-M
Multi touch speaker screen	22"	22"
Front screen - with Embedded Signage Media Player	24"	24"
Player PC : Intel i3, 8 GB Ram, 128 GB SSD, Windows 11 Pro	✓	✓
Remotely Controlled Electrical Lifting Column for Height Adjustment	✗	✓
Microphone	✓	✓
5" Digital Touch Timer	✓	✓
Creapen Annotation Software	✓	✓

Front Screen

Samsung QB24B



Enhanced communication in a compact display

Samsung's QB24R small display enables personalized and more impactful communication through its compact and versatile design. An all-in-one solution designed for professional use, the QB24R improves the operational efficiency of content, while also ensuring reliable performance for any business use.



MagicINFO



Media Player



16/7



Built-in Wifi

FHD Display

24" FHD, non-glare display delivers clear content

Slim Design

Compact and slim design enables efficient use of space

MagicINFO

Embedded MagicINFO S player supports seamless content playback

Specifications

Panel

Diagonal Size	24"
Type	ADS
Resolution	1920*1080 (Full HD)
Pixel Pitch(mm)	0.2745x0.2745
Active Display Area(mm)	574.04(H)x296.46(V)
Brightness(Typ.)	250 nit
Contrast Ratio	1000:1
Viewing Angle(H/V)	178/178
Response Time(G-to-G)	14ms(Typ.)
Display Colors	16.7 M (real 6bit, dither 8bit)
Color Gamut	0,72
Operation Hour	16/7
Haze	0,25

Display

Dynamic C/R	MEGA
H-Scanning Frequency	56-84.5kHz
V-Scanning Frequency	48-75Hz
Maximum Pixel Frequency	594MHz

Sound

Speaker Type	Built in Speaker(5W)
--------------	----------------------

Internal Player

Processor	Cortex A72 1.7GHz Quad-Core CPU
On-Chip Cache Memory	L1 Instruction Cache : 48KB L1 Data Cache : 32KB L2 Cache : 2MB
Clock Speed	1.7GHz
Main Memory Interface	2.5GB LPDDR4 1.5GHz 64bit
Graphics	Graphic resolution : 1920x1080 Output resolution : 1920x1080 (Scale up from graphic processing result.)
Storage (FDM)	8GB (3.88GB Occupied by O/S, 4.12GB Available)
Multimedia	*Video Decoder : MPEG-1/2/4, H.263, H.264/AVC, UHD H.264/AVC, VC-1, HEVC, JPEG, PNG, VP8, VP9 *Audio Decoder : AC3 (DD), MPEG
IO Ports	USB 2.0
Operating System	Tizen 4.0 (VDLinux)

■ Speaker Screen

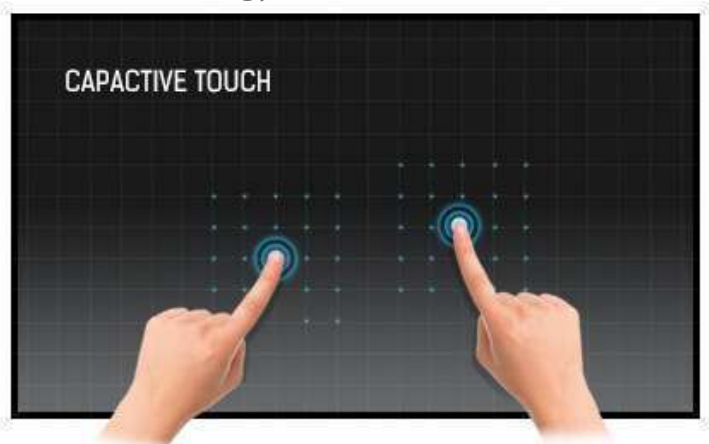


22" 10 point touch monitor with edge-to-edge glass and AMVA panel

With its Full HD (1920x1080) resolution and accurate Projective Capacitive 10 point touch technology, the ProLite T22 delivers seamless and accurate touch response.

The AMVA panel technology guarantees high performance with excellent colour reproduction and high contrast, making it an excellent choice for a vast array of demanding interactive applications.

Touch Technology



This technology uses a sensor-grid of micro-fine wires integrated into the glass that covers the screen. Touch is detected because electrical characteristics of the sensor grid change when human finger is placed on the glass. Thanks to the glass overlay this technology is highly durable, and the touch function remains unaffected even if the glass is scratched.

It offers perfect picture performance and will work with human finger (also latex gloved) and stylus-pen.

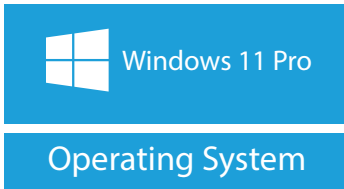
Specifications	
Diagonal	21.5"; 55cm
Aspect Ratio	16 : 9
Panel Amva	LED
Native Resolution	Full HD 1080p, 1920 x 1080 (2.1 megapixel)
Brightness	250 cd/m ² typical
Brightness	215 cd/m ² with touch panel
Advanced Contrast	12 000 000 : 1 ACR
Static Contrast	3 000 : 1 with touch panel
Response Time	8 ms
Viewing Zone	horizontal/vertical: 178°/ 178°; right/left: 89°/ 89°; up/down: 89°/ 89°
Display Colour	16.7 million
Blue Light Reducer	yes
Touch Technology	projective capacitive
Touch Points	10
Glass Hardness	7H minimum
Light Transmittance	85%
Display Area	H X W 268.1 x 476.6 mm; 10.6" x 18.8 "
Pixel Pitch	H X V 0.248 x 0.248 mm
Horizontal Sync	30 - 80 KHz
Vertical Sync	56 - 75 Hz
Synchronization	Separate Sync
INTERFACES / CONNECTORS / CONTROLLERS	
Analog Input Connector	VGA
Digital Input Connector	DVI, HDMI
USB HUB	UP 1 x USB 3.0 / DOWN 4 x USB 3.0
Controls	USB (touch), USB 3.0



FRONT



BACK



Specifications	
Operating System	Windows 11 Pro
CPU	Intel i3
Chipset	Intel B560
Graphics	Integrated - Intel HD Graphics
Memory	8 GB
Storage	128 GB SSD
Wireless Data Network	Wi-Fi 6, Bluetooth 5.0, 2*2
LAN	10/100/1000 Mbps, Intel LAN
Side(Front) I/O Ports	4 x USB 3.2 Gen2 Type-A (1 w/QC), 1 x USB 3.2 Gen1 Type-C, 2 x Audio Jacks(optional)
Back I/O Ports	1x USB3.2 Gen1 Type-A, 2x USB2.0, 1x RJ45 LAN, 2x Display Port 1.2, 1x configurable ports (HDMI 2.0/VGA/COM/DP/LAN), 1x Kensington lock, 1x DC-in
Power Supply	150W - 19Vdc, 4.74A, 90W Power Adapter
Dimensions (W x D x H)	175 x 175 x 44.2 mm
Weight	1.3KG (HDD included)
Color	Black
Accessories	USB Keyboard & Mouse
Certificates	BSMI/CB/CE/FCC/UL/CCC/Energy Star/C-Tick/WiFi/RF/VCCI

Microphone

■ Shure I8 CVGI8S-B Microphone



Designed with dual gooseneck sections for full articulation, the CVGI8 provide scalable, best-in-class performance in a wide variety of locations.

Features

- Cardioid polar pattern with tailored response for speech
- Dual-section gooseneck enables ease of positioning and placement options
- Included Flange Mount and available snap-fit windscreens (ACVG4WS-B – 4 pack)
- With Mute switch/LED,
- Guards against unwanted RF Interference from portable wireless devices gh resistance to intense nearby radio signals
- Superior Shure design and rugged, dependable construction
- Noise by up to 20 dB.

Specifications

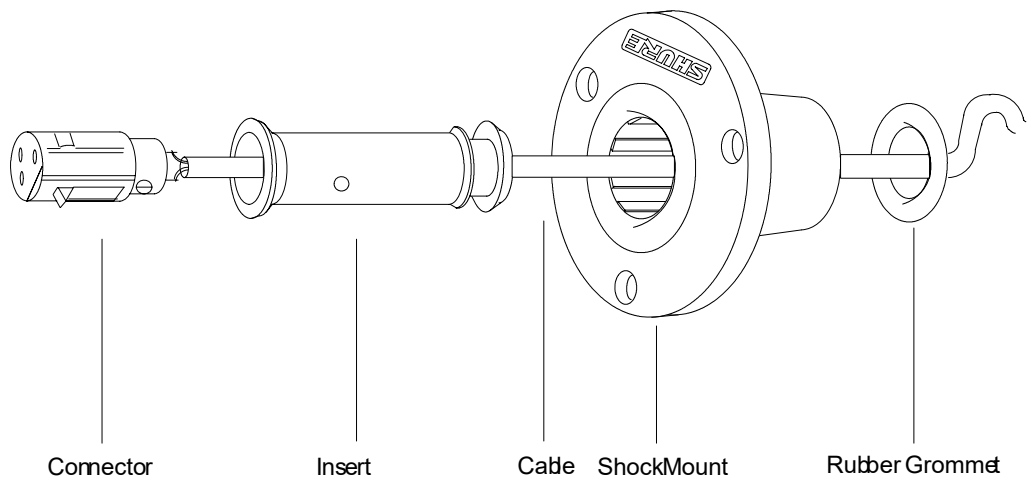
Cartridge Type	Electret Condenser	Electret Condenser
Frequency Response		70–16000 Hz
Polar Pattern		Cardioid
Output Impedance		180 Ω
Sensitivity (at 1 kHz , open circuit voltage)		–33 dBV/Pa[1] (22 mV)
Maximum SPL (1 kHz at 1% THD)		120 dB SPL
Signal to Noise Ratio (referenced at 94 dB SPL)		67 dB
Dynamic Range		93 dB
Self Noise (equivalent SPL, A-weighted, typical)		27 dB SPL
Common Mode Rejection (10 Hz to 100 kHz)		45 dB
Preamplifier Output Clipping Level (1% THD)		–7 dBV
Polarity		3
Power Requirements		11–52 V DC[4], 2.0 mA



■ Shure A400SMXLR Shock Mount

Shure A400SMXLR Shock Mount Socket

A400SMXLR Shock Mount decouples a microphone from the mounting surface and reduces transmission of impact or surface



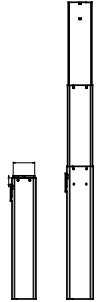
Height Adjustment

■ Linak DL4 Lifting Column



The hallmarks of the DL4S are the 3-stage inline design meaning that the motor is hidden inside the profiles giving the column a very sleek and elegant design easy to integrate in various desk designs. The 3-stage construction ensures a very low built-in dimension meaning that people of all heights can use the desk. The very low noise level ensures pleasant use when driving.

- Max. thrust 700 N per column
- Max speed: 38 mm/s unloaded
- Bending moment: Max. 150 Nm dynamic
- Low and uniform noise level
- PVC-free column



Specifications

Single or 2, 3, 4 parallel drive

Multi-parallel is possible only when in combination with CBD6S

Duty cycle: 10% ~ 2 minutes of continuous use at full load, followed by 18 minutes of pause

Ambient temperature: +5° to +40°C

■ Remote Control



The Hand Control HB10 wireless is designed for control podium remotely. The HB10 wireless combines ergonomic design and functionality into a user-friendly hand control with big intuitive buttons and without any annoying cable.

- Hand control controlling 2 channels
- Easily operated by both left and right-handed persons
- Colour on top part is silver (RAL 7035) and the bottom part is a soft black rubber coating
- Simultaneous drive up and down
- Transmitter signal based on 433 MHz or Bluetooth® connection
- Long-life batteries included. Battery lifetime at normal use of 1 minute per day is about 10 years

Application

■ Creapen Software

Screen Annotation & Screen Recording Solution for Presentations

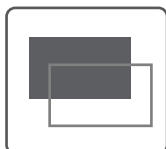
CreaPen is an extremely simple yet powerful screen annotation and recording software. You can easily write on top of any other application that is currently active on the desktop, even on a running video. You can then save your annotations as an image file or even record the whole session as a video for sharing. It is a useful tool for presenters to communicate and share ideas during a live session, for educators to create effective video tutorials and for salespeople to create impressive video presentations.



Text Input



Whiteboard



Multiple Pages



Screen Recording



Screen Annotation

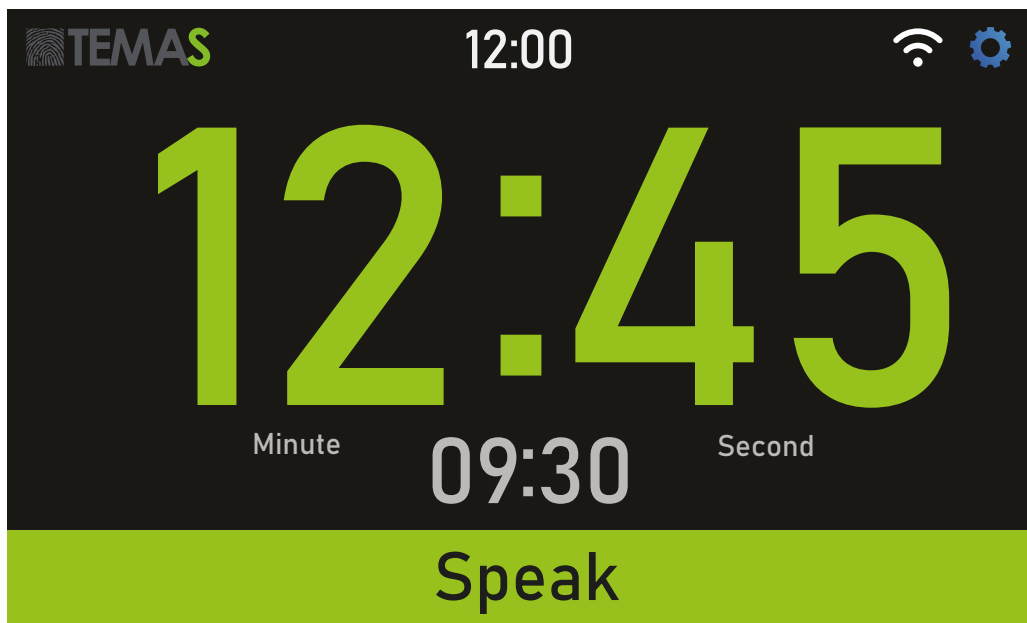


Web Camera



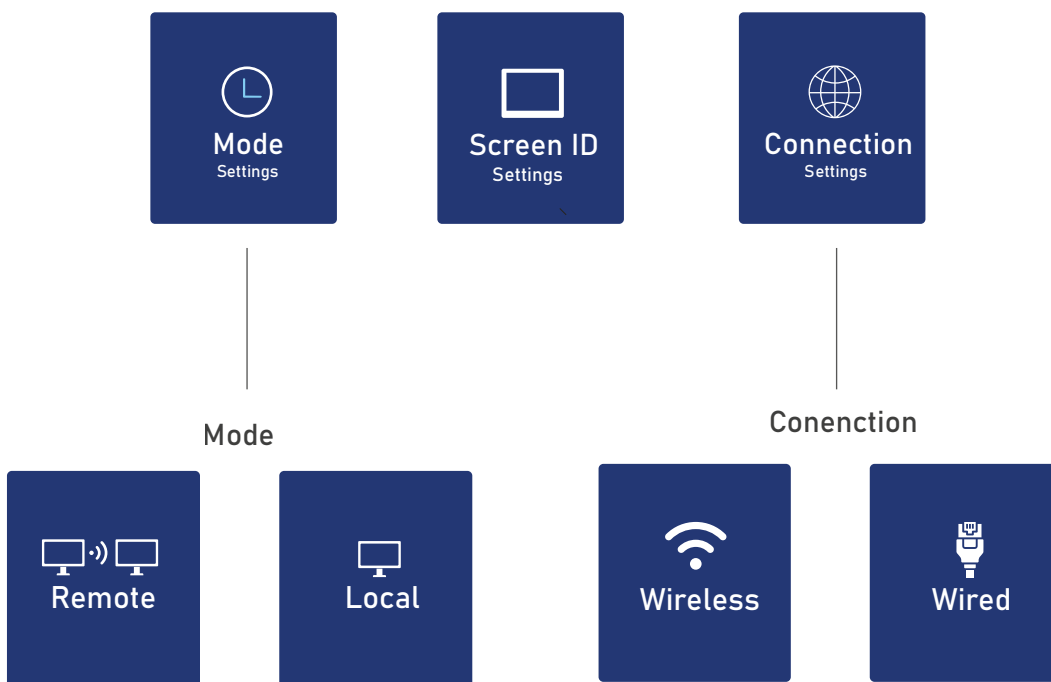
Application

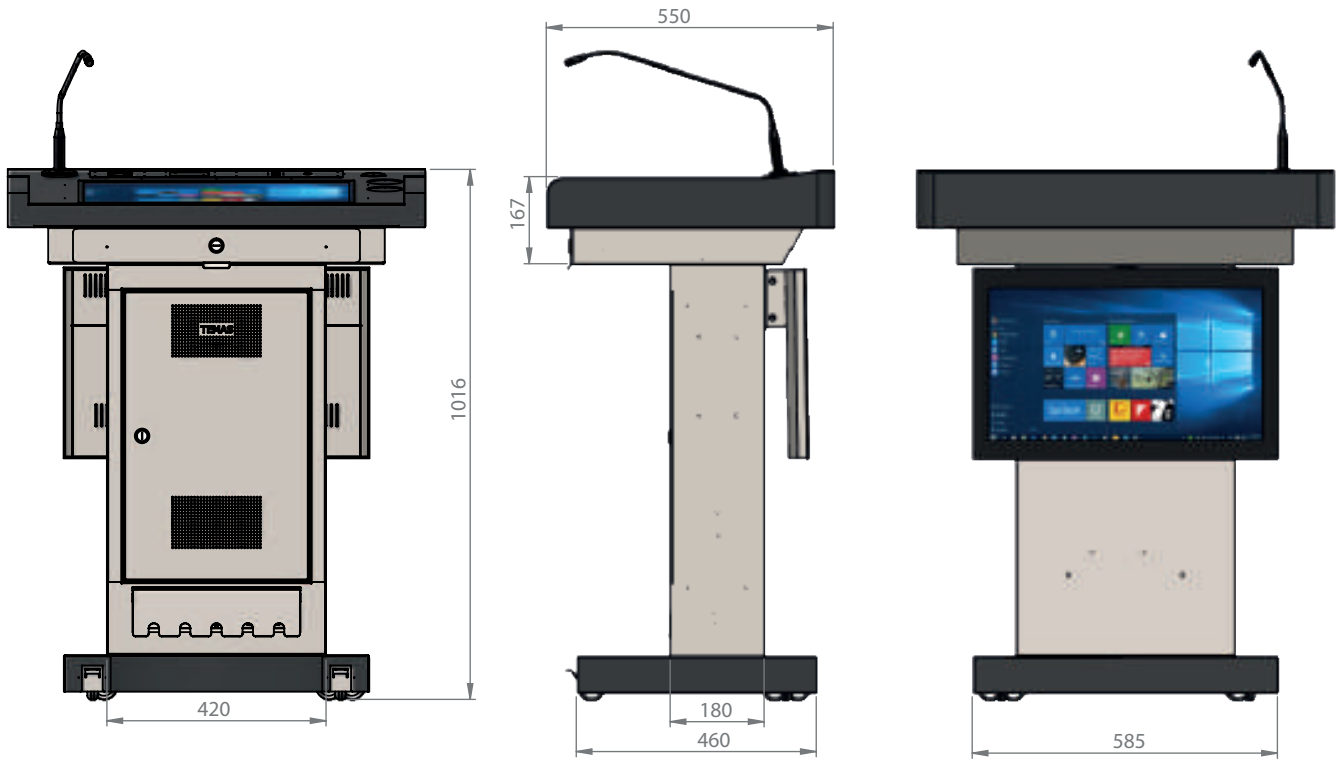
■ 5" Touch screen Timer & Clock

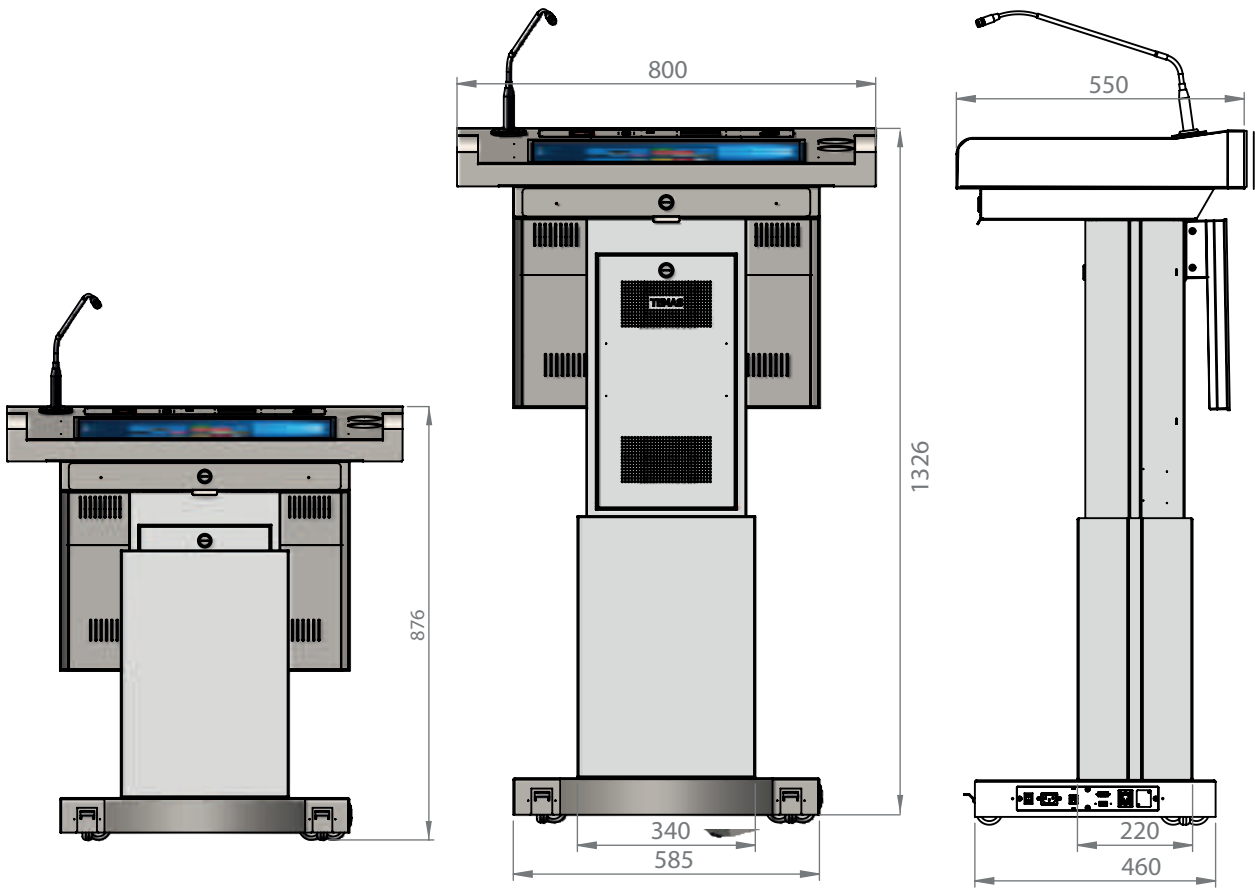


- Speak - Green: 80% of the entire speech
- Sum-up - Orange: The speaker is reminded to end
- End - Red: To remind the speaker to stop talking

Settings







Technical specifications

	DL22A-M	DL22A
Front Panel		
Resolution	1920x1080 FHD	1920x1080 FHD
Brightness	250 cd/m2	250 cd/m2
Aspect ratio	16:9	16:9
Panel Type	ADS	ADS
Built-in Player	Available	Available
Lecturer Panel		
Screen Specifications	22"	22"
Resolution	1920x1080	1920x1080
Brightness	250 cd/m2	250 cd/m2
Aspect Ratio	16:9	16:9
Number of Touch Point	10 Points Capacitive	10 Points Capacitive
Lecturer Panel PC		
CPU	Intel i3	Intel i3
RAM	8 GB	8 GB
HDD	128 GB SSD	128 GB SSD
Operating System	Windows 11 Pro	Windows 11 Pro
Microphone		
Lenght	18"	18"
No of microphone	1 pcs	1 pcs
Output Connector	3-way XLR(Male)	3-way XLR(Male)
Microphone Type	Cardioid	Cardioid
Frequency Response	50-18 kHz	50-18 kHz
Power ON Indicator	LED	LED
Power Requirement	Phantom Power (48V)	Phantom Power (48V)
Outpots (Bottom of Podium)		
HDMI	Available	Available
Ethernet	RJ45	RJ45
XLR for microphone	3-way XLR(Male)	3-way XLR(Male)
USB	USB 2.0	USB 2.0
Height Adjust Engine		
Movement	Vertical (Up/Down)	-
Control	Up/Down and Remote Control	-
Speed	Max speed : 38 mm/s	-
Lifting Strength	700N	-
Locking System	Available	-
Engine Type	Electrical	-
Mechanical Specs		
Product dimensions W x D x H	550 x 800 x 1329 mm	550 x 800 x 1019 mm
Packing dimensions W x D x H	850 x 900 x 1350 mm	850 x 900 x 1350 mm
Weight(kg)	Set: 78 kg Package: 111 kg	Set: 68 kg Package: 105 kg



Europe

Temas Technology Co.Ltd.

Serifali Mh, Bayraktar Bulvari, Kible Sk,
No: 29 - 34775 Umraniye
Istanbul - TURKIYE

Tel: +90 216 314 54 54
info@temastechnology.com

USA

Temas Technology LLC

11417 Irving Park Rd, Suite No. B-9-4
Franklin Park, 60131-3882,
Illinois - USA

Tel: +1 630 489 6994
sales@temastechnology.com

www.temastechnology.com