



ASTROSYNC
AS130M



■ AstroSync AS130M

The Future of Digital Podiums

The AstroSync AS130M is a cutting-edge digital podium designed for dynamic environments such as auditoriums, university classrooms, command control rooms, hospitals, training centres, and monitoring applications. Combining flexibility, advanced technology, and sleek design, this podium is engineered to enhance presentations, lectures, and meetings, making it the ideal choice for modern professional spaces.

The AstroSync AS130M is designed to elevate the presentation experience in professional spaces. Whether it's a classroom, a hospital, or a command control room, the AstroSync is the ultimate solution for seamless and engaging presentations.

Main Specifications:

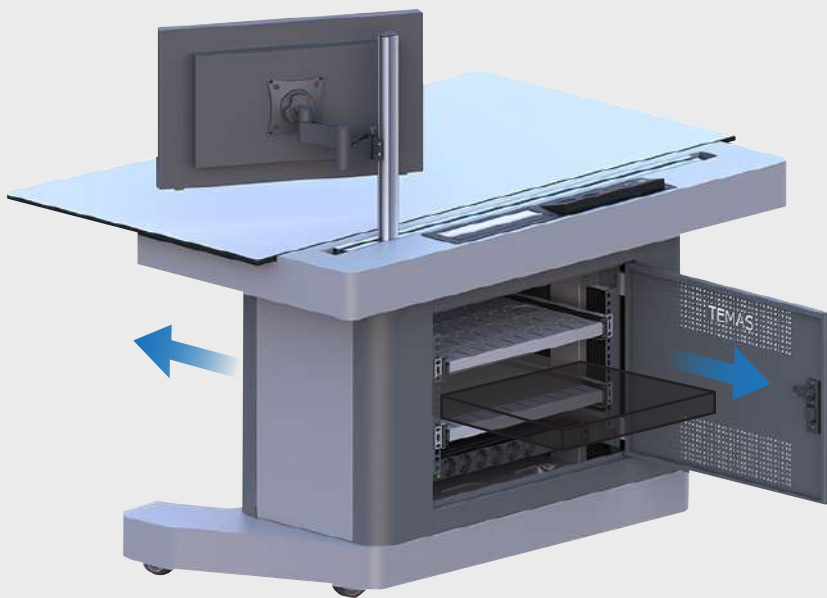
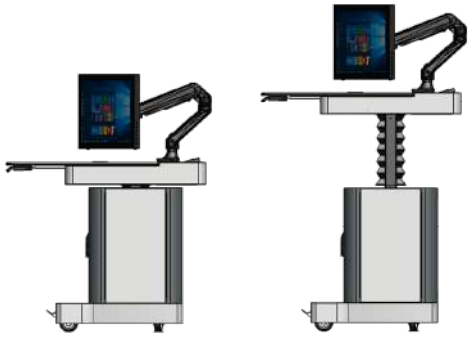
- Model Name: **AstroSync**
- Model Number: **AS130M**
- Height Adjustment: **Motorized, controlled**
- Rack Cabinet: **19" 9U for AV and electronics storage**
- Surface: **12mm compact laminate**
- Connectivity: **HDMI, Type-C, USB, Power, RJ-45**
- Monitor Arm: **Sigma rail with full directional movement**
- Cable Management: **Bellow with cable hole**
- Power: **Built-in power distribution unit**
- Microphone Socket: **Shock mount XLR**

Advantages of the AstroSync AS130M

- 1 Versatile Design for Multiple Environments: Tailored for auditoriums, classrooms, control rooms, hospitals, and more, its flexibility meets the needs of diverse professional spaces.
- 2 Durable and Stylish: The 12mm compact laminate surface is resistant to scratches, heat, and moisture, ensuring long-lasting performance in high-usage environments.
- 3 Effortless Mobility: Lockable wheels make the podium easy to move and secure, ideal for dynamic spaces like auditoriums and training centers.
- 4 Streamlined Cable Management: Integrated cable solutions ensure a clutter-free workspace in any setting, from classrooms to command centers.
- 5 Customizable Options: Fully adaptable with optional features such as touch displays, built-in PC, and customizable branding options to match any organization's needs.

Motorized Height Adjustment

Effortlessly adjust the podium's height with the AstroSync ASI30M. Use the remote control or mobile app for smooth height customization, ensuring maximum comfort for users of all heights.



19" 9U Rack Cabinet

The adjustable monitor arm, with a sigma rail, provides full motion control—right, left, front, back, up, and down allowing for optimal positioning in control rooms and monitoring environments where clear visibility is crucial.



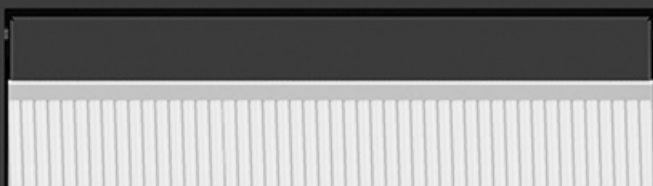
Efficient Cable Management

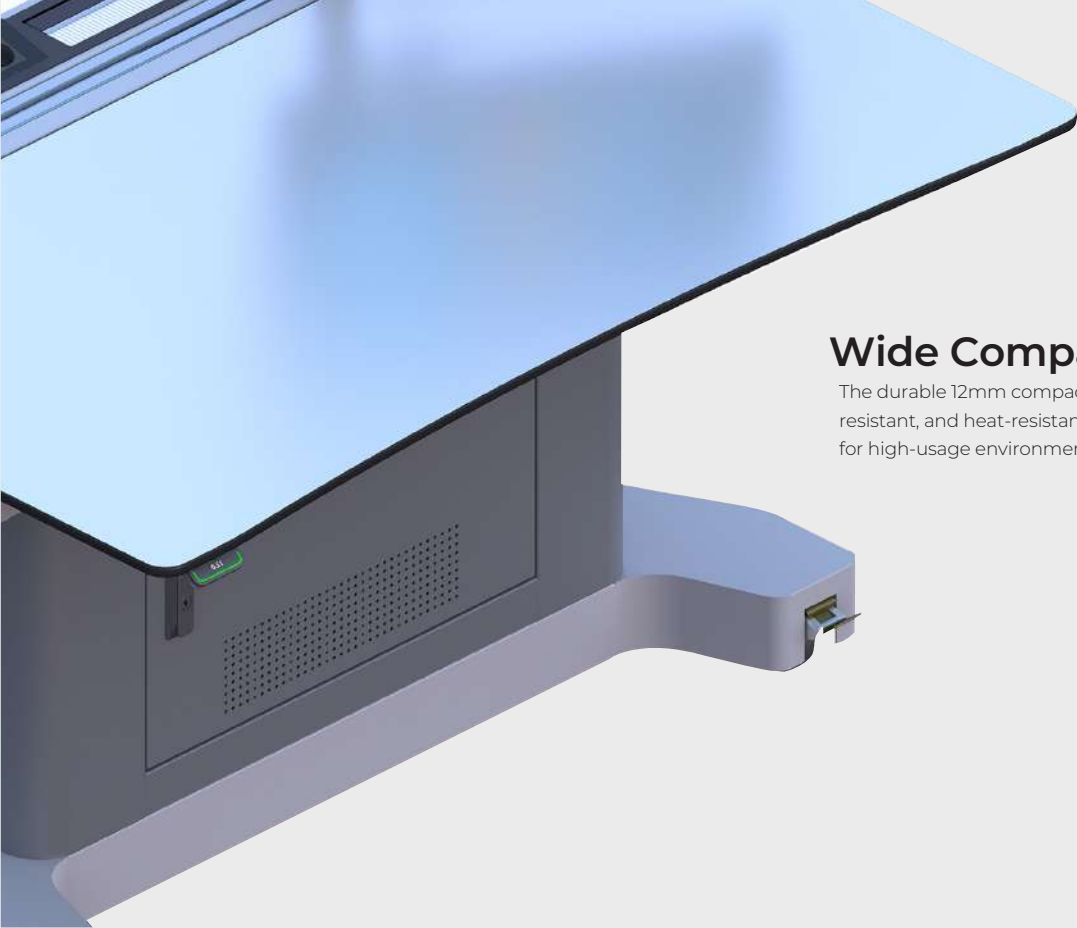
A built-in bellow and cable hole make cable management easy, ensuring a clean and professional appearance—particularly useful in classrooms and hospitals, where organization is key.



Connectivity

Equipped with HDMI, Type-C, USB, power outlet, and RJ-45 ports, the AstroSync ASI30M offers seamless integration with external devices, making it a perfect fit for training centers and monitoring rooms where multimedia presentations are essential.



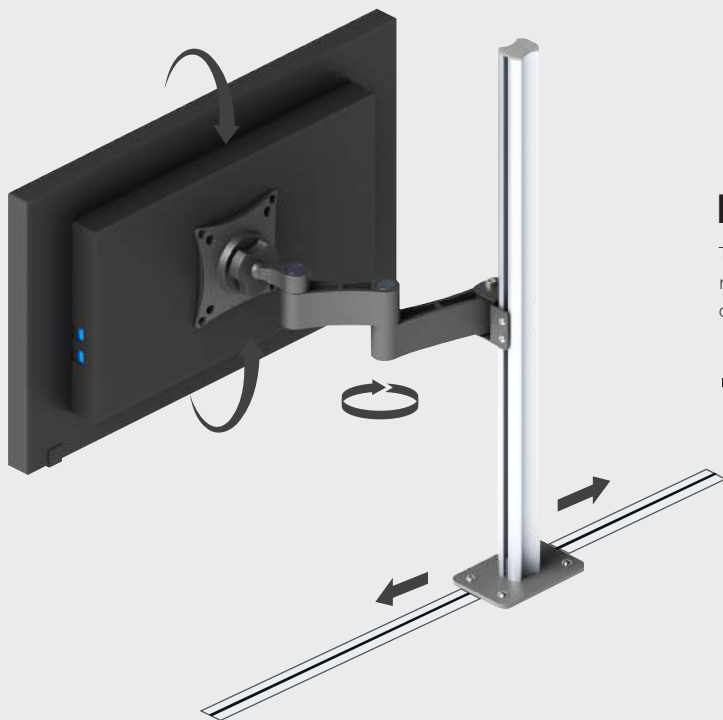


Wide Compact Working Surface

The durable 12mm compact laminate surface is scratch-resistant, moisture-resistant, and heat-resistant, offering a spacious and robust work area suitable for high-usage environments like hospitals and university lecture halls.

Lockable Wheels for Mobility

With lockable wheels, the AstroSync AS130M can be easily moved and secured in place, offering flexibility in dynamic spaces like auditoriums or training centers where mobility and repositioning are frequently required.



Monitor Arm with Sigma Rail

The adjustable monitor arm, with a sigma rail, provides full motion control right, left, front, back, up, and down—allowing for optimal positioning in control rooms and monitoring environments where clear visibility is crucial.

- Recommended pitch angle 45°
- Sight Distance Adjustment

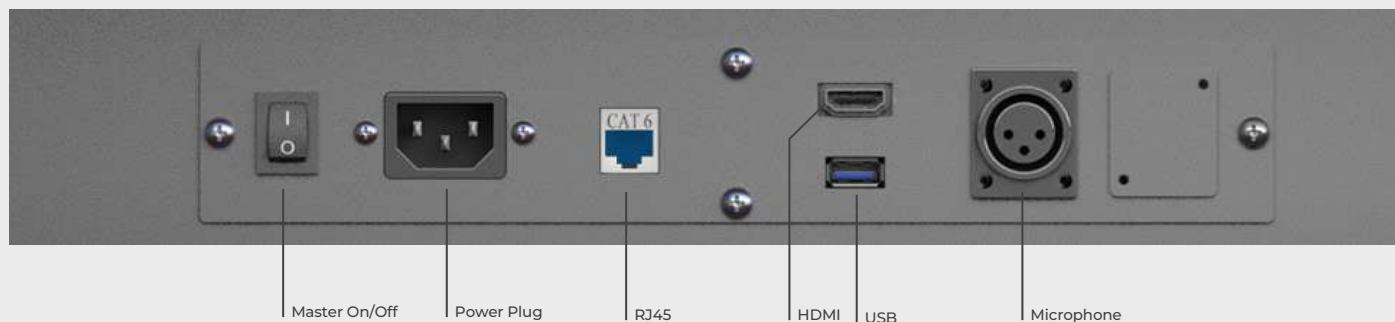
Power Distribution Unit

The built-in power distribution unit ensures all your devices stay powered and connected during presentations, making it indispensable for command centers and auditoriums requiring reliable, high-performance setups.



Out Connectivity

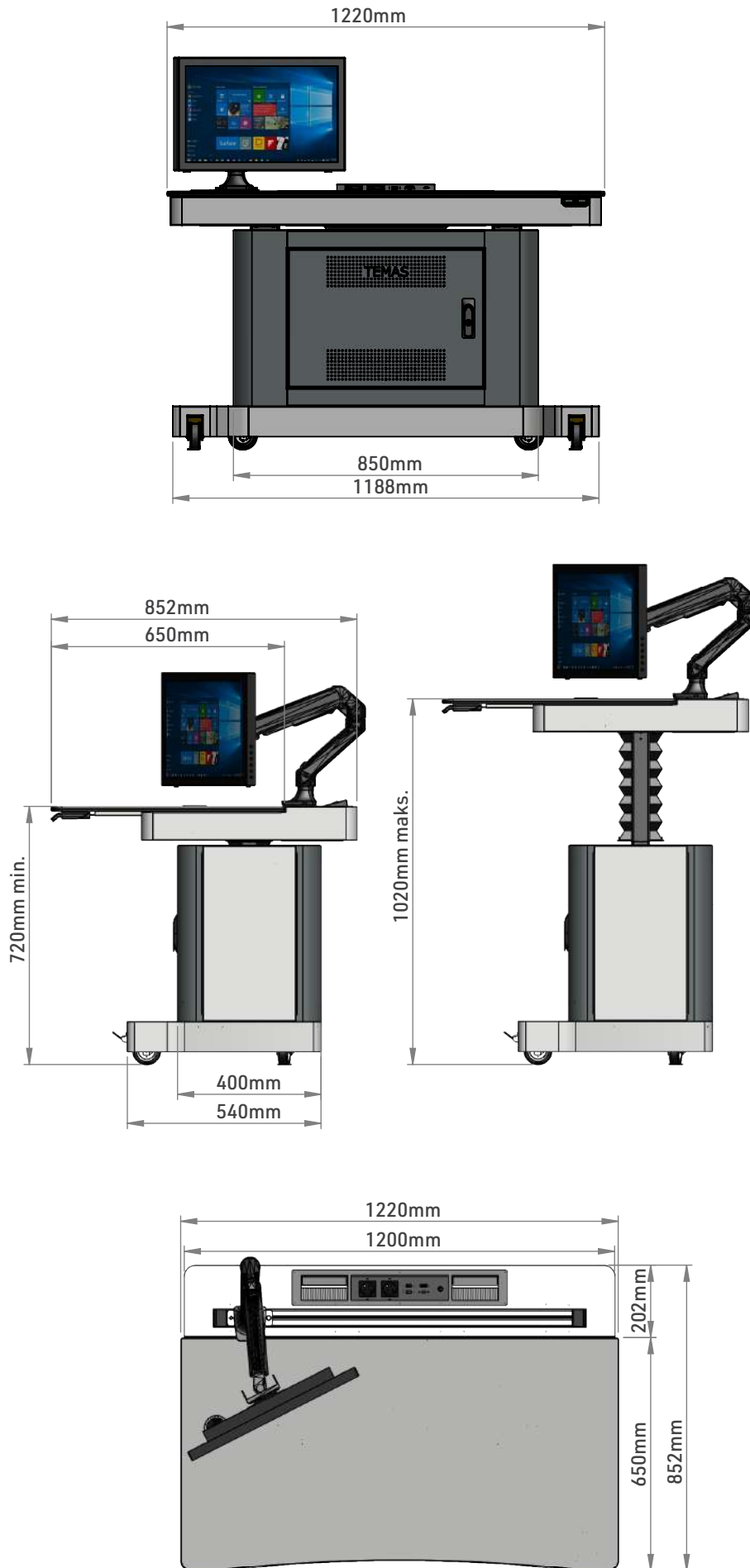
Equipped with HDMI, Type-C, USB, power outlet, and RJ-45 ports, the AstroSync ASI30M offers seamless integration with external devices, making it a perfect fit for training centers and monitoring rooms where multimedia presentations are essential.



Optional Features

- 2x4 Network Switcher with digital source selection via 5" touch display on the top panel
- 5" Digital Timer to keep presentations and events on schedule
- Built-in Windows PC for integrated computing needs
- Microphone for clear, professional sound
- Touch Display options available in 22", 24", or 27" sizes
- Amplifier and Built-in Speaker for enhanced sound output
- Corporate Logo & Custom Colours to match your brand identity and aesthetic preferences

Mechanical Drawing



Specifications

Model Name	AstroSync
Model No	AS130M
Table Length - working surface	1240 mm
Table Width - working surface	650 mm
Motorized Height Adjustment	Available
Integrated Rack Cabinet	19"
Size	400 mm
Depth	9U
Access the Console Rack Cabinet	2 service door, from front and rear panel
Length of Rail for Monitor Arms Sigma Profile	40 x 1000 mm
Surface Material of the Console	Compact Laminat
Surface Material Thickness	12 mm
Wireless Charger	Wireless Charger with Type-C and USB port
Monitor Mounting Brackets	Included
Painting	Electrostatic powder coating
Fans for the heat dissipation	Optional



Europe

Temas Technology Co.Ltd.

Serifali Mh, Bayraktar Bulvari, Kible Sk,
No: 29 - 34775 Umraniye
Istanbul - TURKIYE

Tel: +90 216 314 54 54
info@temastechnology.com

USA

Temas Technology LLC

11417 Irving Park Rd, Suite No. B-9-4
Franklin Park, 60131-3882,
Illinois - USA

Tel: +1 630 489 6994
sales@temastechnology.com

www.temastechnology.com