

# TW23P

DIGITAL PODIUM



# Connectivity



- 1 - 18"Shure Microphones
- 2 - Shock Mount
- 3 - Power 220V AC
- 4 - RJ43
- 5 - USB
- 6 - Clock & Timer
- 7 - Heigh Adjustment
- 8 - PC On/Off
- 9 - 22" Multi Touch Screen
- 10 - Creapen Annotation Software



TW23P is designed to satisfy the requirements in conference halls and hotels. Connecting projectors and audio systems to TW23P from its built-in connectors is easy. TW23P has latest technology for meeting rooms, and lecture halls. It is equipped with personels computer 32" front screen. It is also designed to beused as an stand alone product

## TW23P

	TW23P	TW23P-A
Multi touch speaker screen	22"	22"
Front Screen with Embedded Signage Media Player	32"	X
Electrical Lifting Column for Height Adjustment	✓	✓
Player PC : Intel 4,10 GHz CPU, 120 GB SSD, Windows 10 Pro	✓	✓
Microphone	✓	✓
5" Digital Touch Timer	✓	✓
Creapen Annotation Software	✓	✓

# Speaker Screen

■ iiyama Prolite T22



22" 10 point touch monitor with edge-to-edge glass and AMVA panel

With its Full HD (1920x1080) resolution and accurate Projective Capacitive 10 point touch technology, the ProLite T22 delivers seamless and accurate touch response.

The AMVA panel technology guarantees high performance with excellent colour reproduction and high contrast, making it an excellent choice for a vast array of demanding interactive applications.

## Touch Technology



This technology uses a sensor-grid of micro-fine wires integrated into the glass that covers the screen. Touch is detected because electrical characteristics of the sensor grid change when human finger is placed on the glass. Thanks to the glass overlay this technology is highly durable, and the touch function remains unaffected even if the glass is scratched.

It offers perfect picture performance and will work with human finger (also latex gloved) and stylus-pen.

Specifications	
Diagonal	21.5"; 55cm
Aspect Ratio	16 : 9
Panel Amva	LED
Native Resolution	Full HD 1080p, 1920 x 1080 ( 2.1 megapixel)
Brightness	250 cd/m <sup>2</sup> typical
Brightness	215 cd/m <sup>2</sup> with touch panel
Advanced Contrast	12 000 000 : 1 ACR
Static Contrast	3 000 : 1 with touch panel
Response Time	8 ms
Viewing Zone	horizontal/vertical: 178°/ 178°; right/left: 89°/ 89°; up/down: 89°/ 89°
Display Colour	16.7 million
Blue Light Reducer	yes
Touch Technology	projective capacitive
Touch Points	10
Glass Hardness	7H minimum
Light Transmittance	85%
Display Area	H X W 268.1 x 476.6 mm; 10.6" x 18.8 "
Pixel Pitch	H X V 0.248 x 0.248 mm
Horizontal Sync	30 - 80 KHz
Vertical Sync	56 - 75 Hz
Synchronization	Separate Sync
INTERFACES / CONNECTORS / CONTROLLERS	
Analog Input Connector	VGA
Digital Input Connector	DVI, HDMI
USB HUB	UP 1 x USB 3.0 / DOWN 4 x USB 3.0
Controls	USB (touch), USB 3.0

## ■ Front Screen



Conveniently and simply manage a rich array of content with an advanced platform

The displays offer durable and extended 24/7 usage to ensure that your business messages are conveyed whenever and wherever they are most impactful.

And, with high 400 nit brightness and crystal clear image quality, your on the podium information are sure to captivate viewers. The unique Picture Quality Enhancer function optimizes the color, detail, contrast and color temperature for your environment with rich color and detailed textures. Viewing is maximized by eliminating factors that can interrupt visibility from light reflection, and reducing glare and haze to only 2%. Plus, connectivity options are enhanced with two HDMI ports for easier enriched content display.

- Durable and extended 24/7 usage for continuous high performance with clear visibility
- All-in-one display solution with embedded Media Player, no need for external media players
- Simplified content management with built-in Wifi and an easy-to-use mobile application



**Integrated Signage Media Player**



**Built in Wi-Fi**

Connect the screen to the CMS wirelessly via the integrated Wi-Fi, ethernet or by LAN

Specifications	
Diagonal Size	32"
Type	60Hz D-LED BLU
Resolution	1920*1080 (Full HD)
Pixel Pitch(mm)	0.12125(H) x 0.36375(V)
Active Display Area(mm)	698.4(H) x 392.85(V)
Brightness(Typ.)	400 nit
Contrast Ratio	5000:1
Viewing Angle(H/V)	178:178
Response Time(G-to-G)	8ms
Display Colors	10bit Dithering - 1.07Billion
Color Gamut	0.72
Operation Hour	24/7
Haze	2%
Dynamic C/R	50,000:1
H-Scanning Frequency	30 ~ 81kHz
V-Scanning Frequency	48 ~ 75HZ
Maximum Pixel Frequency	148.5MHz
Speaker Type	Built in Speaker(10W x 1)

# Microphone

## ■ Shure 18 CVG18S-B Microphone



Designed with dual gooseneck sections for full articulation, the CVG18 provide scalable, best-in-class performance in a wide variety of locations.

### Features

- Cardioid polar pattern with tailored response for speech
- Dual-section gooseneck enables ease of positioning and placement options
- Included Flange Mount and available snap-fit windscreens (ACVG4WS-B – 4 pack)
- With Mute switch/LED,
- Guards against unwanted RF Interference from portable wireless devices gh resistance to intense nearby radio signals
- Superior Shure design and rugged, dependable construction
- Noise by up to 20 dB.

### Specifications

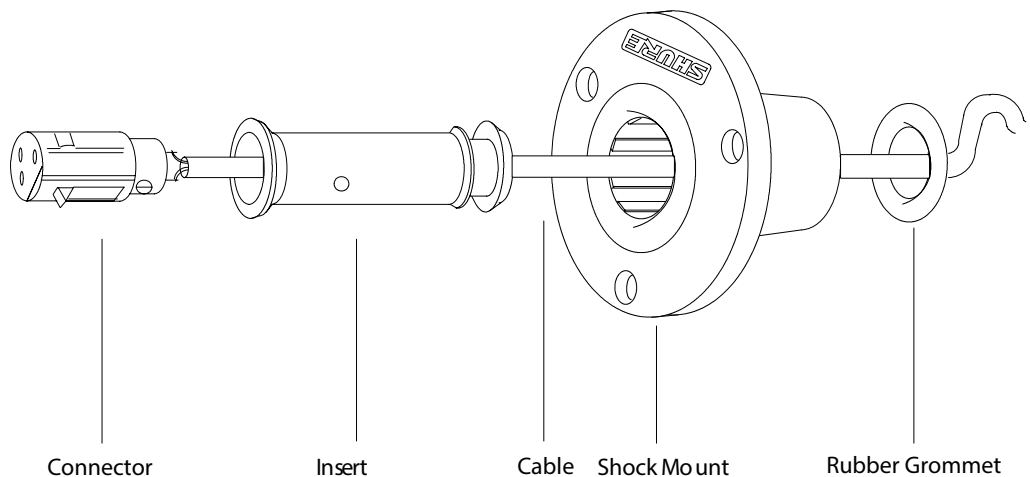
Cartridge Type Electret Condenser	Electret Condenser
Frequency Response	70–16000 Hz
Polar Pattern	Cardioid
Output Impedance	180 Ω
Sensitivity (at 1 kHz, open circuit voltage)	–33 dBV/Pa[1] (22 mV)
Maximum SPL (1 kHz at 1% THD)	120 dB SPL
Signal to Noise Ratio (referenced at 94 dB SPL)	67 dB
Dynamic Range	93 dB
Self Noise (equivalent SPL, A-weighted, typical)	27 dB SPL
Common Mode Rejection (10 Hz to 100 kHz)	45 dB
Preamplifier Output Clipping Level (1% THD)	–7 dBV
Polarity	3
Power Requirements	11–52 V DC[4], 2.0 mA



## ■ Shure A400SMXLR Shock Mount

### Shure A400SMXLR Shock Mount Socket

A400SMXLR Shock Mount decouples a microphone from the mounting surface and reduces transmission of impact or surface





FRONT



BACK



Specifications	
Operating System	Windows 10 Pro
CPU	Intel® Pentium® Gold G6405 Processor 4.1GHz (4M Cache)
Chipset	Intel B560
Graphics	Integrated - Intel HD Graphics
Memory	DRAM MODULE(DDR4)/3200/4G
Storage	128GB M.2 NVMe™ PCIe® 3.0 SSD
Wireless Data Network	Wi-Fi 6, Bluetooth 5.0, 2*2
LAN	10/100/1000 Mbps, Intel LAN
Side(Front) I/O Ports	4 x USB 3.2 Gen2 Type-A (1 w/QC), 1 x USB 3.2 Gen1 Type-C, 2 x Audio Jacks(optional)
Back I/O Ports	1x USB3.2 Gen1 Type-A, 2x USB2.0, 1x RJ45 LAN, 2x Display Port 1.2, 1x configurable ports (HDMI 2.0/VGA/COM/DP/LAN), 1x Kensington lock, 1x DC-in
Power Supply	150W - 19Vdc, 4.74A, 90W Power Adapter
Dimensions (W x D x H)	175 x 175 x 44.2 mm
Weight	1.3KG (HDD included)
Color	Black
Accessories	USB Keyboard & Mouse
Certificates	BSMI/CB/CE/FCC/UL/CCC/Energy Star/C-Tick/WiFi/RF/VCCI

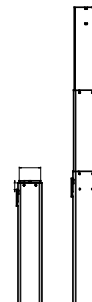
# Height Adjustment

## ■ Linak DL2 Lifting Column



The hallmarks of the DL2 are the 3-stage inline design meaning that the motor is hidden inside the profiles giving the column a very sleek and elegant design easy to integrate in various desk designs. The 3-stage construction ensures a very low built-in dimension meaning that people of all heights can use the desk. The very low noise level ensures pleasant use when driving.

- Max. thrust 700 N per column
- Max speed: 38 mm/s unloaded
- Bending moment: Max. 150 Nm dynamic
- Low and uniform noise level
- PVC-free column



### Specifications

Single or 2, 3, 4 parallel drive

Multi-parallel is possible only when in combination with CBD6S

Duty cycle: 10% ~ 2 minutes of continuous use at full load, followed by 18 minutes of pause

Ambient temperature: +5° to +40°C

# Application

 CreaPen Software

## Screen Annotation & Screen Recording Solution for Presentations

CreaPen is an extremely simple yet powerful screen annotation and recording software. You can easily write on top of any other application that is currently active on the desktop, even on a running video. You can then save your annotations as an image file or even record the whole session as a video for sharing. It is a useful tool for presenters to communicate and share ideas during a live session, for educators to create effective video tutorials and for salespeople to create impressive video presentations.



Text Input



Whiteboard



Multiple Pages



Screen  
Recording



Screen  
Annotation



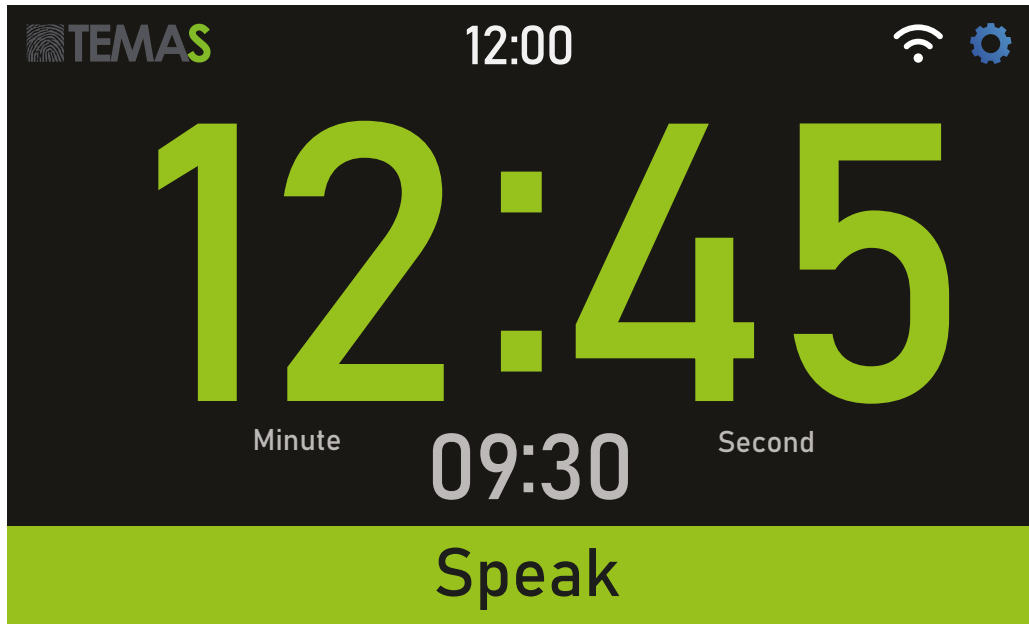
Web Camera





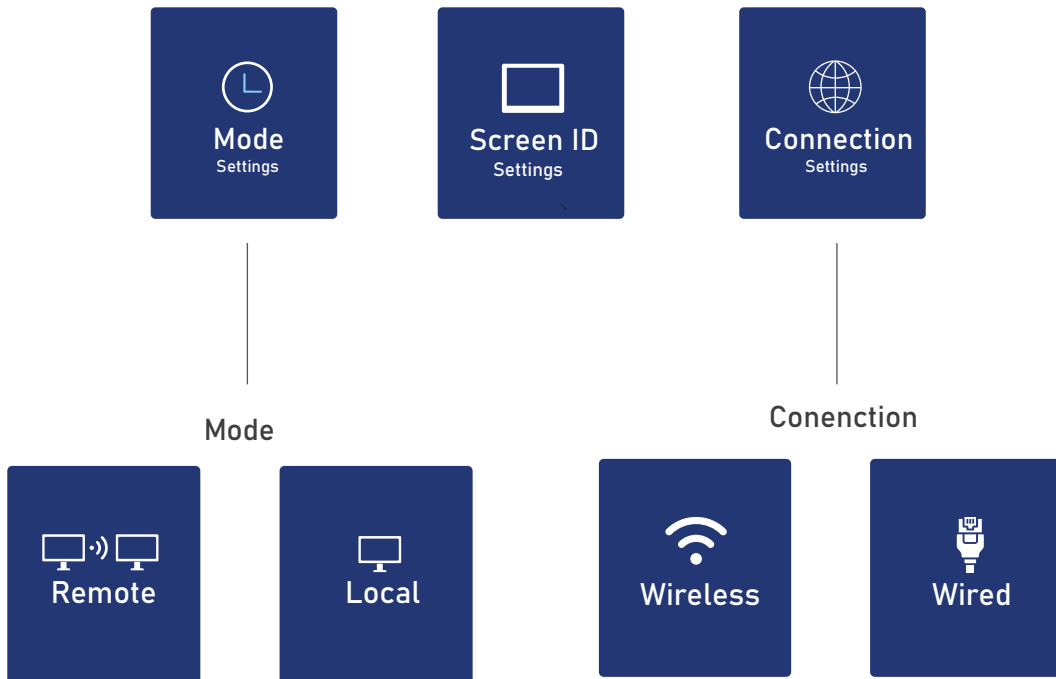
# Application

■ 5" Touch screen Timer & Clock

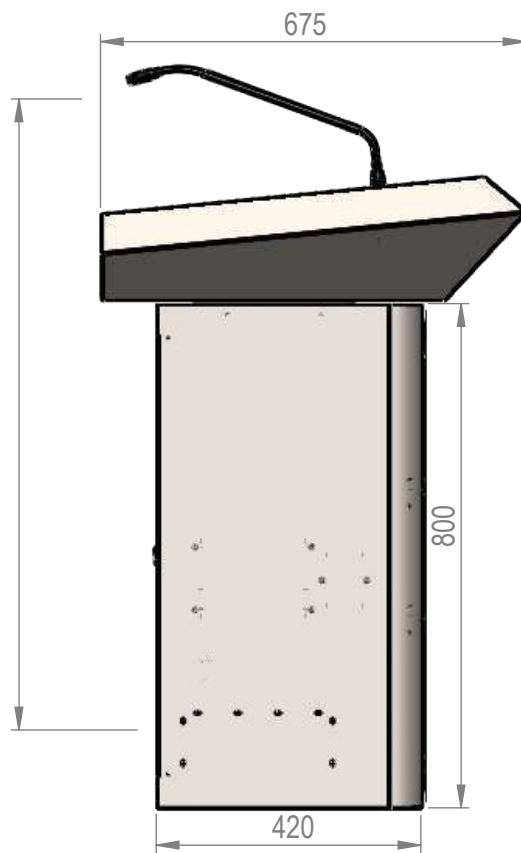


- Speak - Green: 80% of the entire speech
- Sum-up - Orange: The speaker is reminded to end
- End - Red: To remind the speaker to stop talking

## Settings



## MECHANICAL SPECIFICATIONS



## ■ Technical specifications

	TW23P	TW23P-A
<b>■ Front Panel</b>	<b>32"</b>	-
Resolution	1920x1080 FHD	-
Brightness	350 cd/m2	-
Aspect Ratio	16:9	-
Panel Type	IPS	-
Front Panel Player	Digital Signage Media Player	-
<b>■ Lecturer Panel</b>	<b>22"</b>	<b>22"</b>
Screen		
Resolution	1920x1080	1920x1080
Brightness	250 cd/m2	250 cd/m2
Aspect Ratio	16:9	16:9
Number of Touch Point	10 Points Capacitive	10 Points Capacitive
<b>Lecturer Panel PC</b>		
CPU	Intel 4,10 GHz	Intel 4,10 GHz
RAM	4 GB	4 GB
HDD	120 GB SSD	120 GB SSD
Operation System	Windows 10 Pro	Windows 10 Pro
<b>■ Microphone</b>		
Lenght	18"	18"
No of Microphone	2 pcs	2 pcs
Output Connector	3-way XLR(Male)	3-way XLR(Male)
Microphone Type	Cardioid	Cardioid
Frequency Response	50 - 18 kHz	50 - 18 kHz
Power ON Indicator	LED	LED
Power Requirement	Phantom Power (48V)	Phantom Power (48V)
<b>■ Outputs (Bottom of Podium)</b>		
HDMI	Available (Projector Out)	Available (Projector Out)
Ethernet	Network Connection	Network Connection
XLR for Microphone	3-way XLR(Male)	3-way XLR(Male)
USB	USB 2.0 (for internal PC)	USB 2.0 (for internal PC)
<b>■ Electrical Lifting Column for Height Adjustment</b>		
Movement	Vertical (Up/Down)	
Control	By Buttons (Up/Down)	
Speed	Max speed: 38 mm/s	
Lifting Strength	700N	
Locking System	Automatic Looking when engine not working	
Engine Type	Electrical	
<b>■ Mechanical Specs</b>		
Outline Dimesion(mm)Set	689 x 850 x 1159	689 x 850 x 1159
Outlibe Dimension(mm)Package	840 x 1060 x 1240	840 x 1060 x 1240
Weight(kg)	Set: 100 kg Package: 143 kg	Set: 100 kg Package: 143 kg



Temas Technology Co. Ltd.  
Esensehir Mh. Basari Sk. No:14 - Yukari Dudullu Umraniye  
ISTANBUL - TURKEY

Phone: +90 216 314 54 54 | Fax: +90 216 394 44 98  
[www.temasteknoloji.com.tr](http://www.temasteknoloji.com.tr) [info@temasteknoloji.com.tr](mailto:info@temasteknoloji.com.tr)